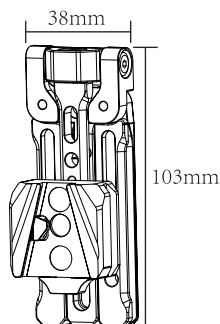
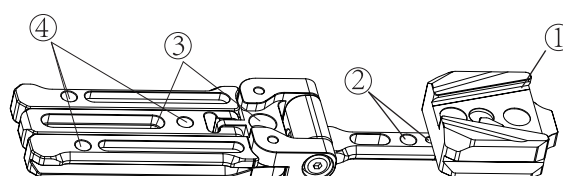


Thank you for choosing SWIT products, please read this user manual before using and keep it properly for future reference.

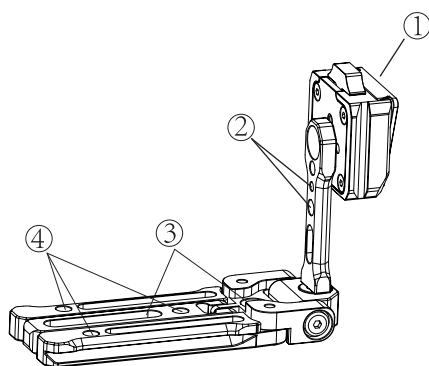
Appearance



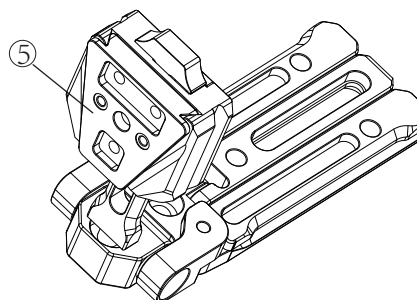
1-1 Flod



1-2 Horizontal



1-3 Vertical



1-4 Vertical with Triangle block

1. V-mount Battery Quick
 2. 1/4-20 Thread+Hole with ARRI Locating Holes

3. 1/4 Screw Hole
 4. 1/4-20 Thread Holes

5. V-Lock

Model & Specification

Model	TA-T10S
Material	Aluminum
Weight(g)	120
Horizontal(kg)	2
Vertical Load(kg)	8
Height(cm)	103-121

Packing list

No.	Description	Quantity
1	TA-T10S	1
2	Wrench	1
3	1/4 screw	2
4	Triangle block	1

Tips: Manual measurement has an error of 1-2cm, please refer to the actual object, thank you for understanding.