

SWIT®

CL-100
LED Studio Panel LED Light
Ver:B

USER MANUAL

SWIT Electronics Co.,Ltd.

Tel:+86-25-85805753
Fax:+86-25-85805296
http://www.swit.cc
E-mail: contact@swit.cc

Thank you for choosing SWIT products, Please read the instructions before using and keep it for future reference.

Specification

Model	CL-100
Half beam angle	65° (Without Honeycomb) 40° (With Honeycomb)
Color Temperature	5600K
CRI	≥97
TLCI	≥99
SSI(D55)	75
Illuminance	3300 Lux@1m 400 Lux@3m 150 Lux@5m
Control	Adjust knob, DMX
Working Voltage	AC 100-240V, 50/60Hz
Output power	About 100W
Dimension (mm)	See Fig.1, Fig.2, Fig.3
Weight	3.2Kg (Without Honeycomb) 3.4Kg (With Honeycomb)

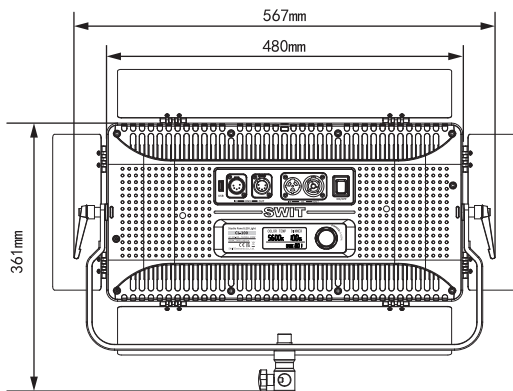


Fig.1 CL-100 Back View

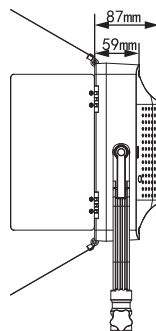


Fig.2 CL-100 Side View

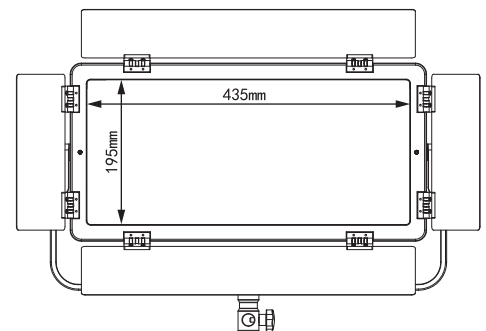


Fig.3 CL-100 Front View

Cautions

1. Do not disassemble the panel light or touch the interior with metal objects to prevent damaging the equipment.
2. Do not store the panel light in dusty or wet environment to avoid damage.
3. In order to ensure safety, please use the safety rope when hoisting the lamp.
4. Working temperature is between -10°C and 40°C.

Appearance

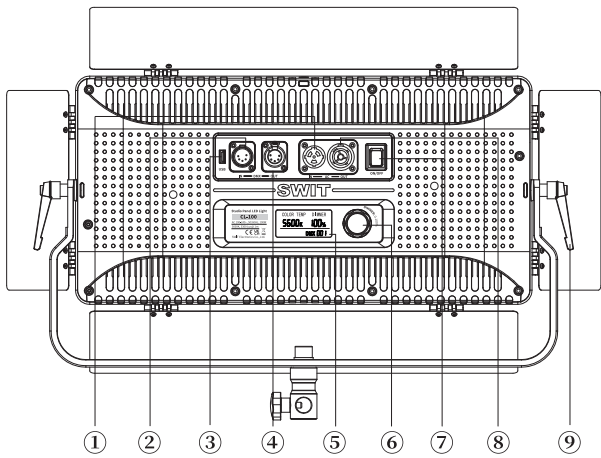


Fig.4 CL-100 Back View

- ① AC IN
- ② DMX IN
- ③ USB
- ④ DMX OUT
- ⑤ LCD Display
- ⑥ Intensity Adjustment knob
- ⑦ Power switch
- ⑧ AC OUT
- ⑨ Pitch Angle Adjustment knob
- ⑩⑮ Honeycomb Mounting Hole

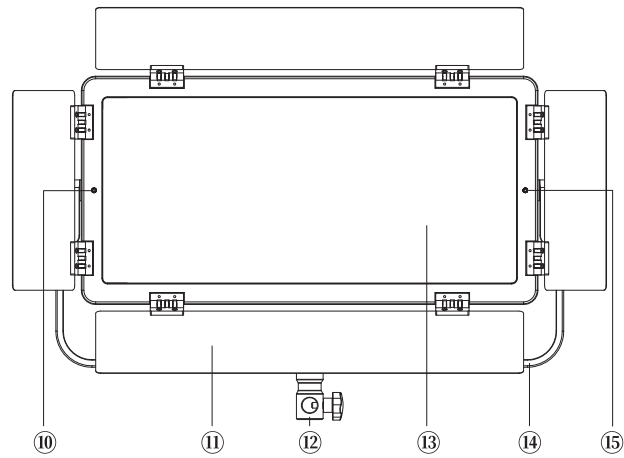


Fig.5 CL-100 Side View

- ⑪ Barn Door
- ⑫ Bracket Adaptor
- ⑬ Diffuser
- ⑭ U-Shape Bracket

Usage

1. Install

Before use, install the honeycomb as required (optional parts, installation mode as shown in Figure 6), please use with safety rope when hoisting lights, safety rope should through the U-shaped bracket and the lifting ring (the lifting ring shall be installed in the mounting hole of the lifting ring at the top of the light).

2. Power Supply

The working voltage of CL-100 is AC 100-240V,50/60Hz, support AC loop out.

3. Brightness & DMX address setting

This product is 5600K single temperature panel light, user can adjust the Intensity with DMX light controller according to requirement after connecting power. For Example:

● DMX Control

Each light occupies a total of one DMX channel. If the DMX address set on the light is N, then the N channel on the DMX light console controls the intensity parameters of the light. If the DMX address set on the light is 001, then the relevant control channel and functions of the light console are shown as below:

● DMX Address setting

Long press the brightness adjusting knob (Fig.4 ⑥) for 2s to enter in communication address setting interface, communication address range: 001-512.

LCD digital tube field flashing indicates that the current bit is selected, rotate the brightness adjustment knob (Fig.4 ⑥) to set the current bit, press the brightness adjustment knob (Fig.4 ⑥) to determine the setting of the current bit and go to the next bit, when the setting of the last bit is completed, press the brightness adjustment knob (Fig.4 ⑥) or wait for about 5s, to exit the setting of the communication address.

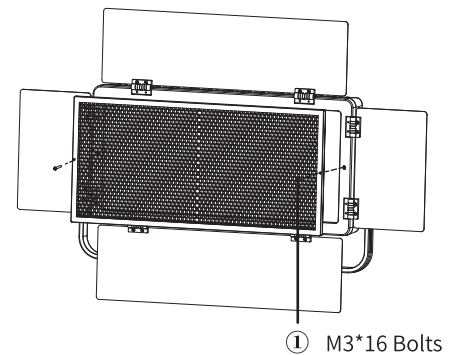


Fig.6 Honeycomb Installation

Channel	Function
CH1	Brightness:0%-100%

Form.1

Packing list

Number	Packing list	Quantities
1	CL-100	x 1
2	Power cable	x 1
3	Safety rope	x 1
4	Ring	x 1
5	Power CON TURE1 Ac power cable	x 1
6	Honeycomb(Optional)	Optional