

SWIT®

FL-C100D
LED SpotLight
Ver: B

USER MANUAL

SWIT Electronics Co.,Ltd.

Tel:+86-25-85805753
Fax:+86-25-85805296
http://www.swit.cc
E-mail: contact@swit.cc

Thank you for choosing SWIT products. Please read the instructions before using, and keep it for future reference.

TECHNICAL PARAMETERS

Model	FL-C100D
Half Beam Angle	12°- 26°
Color Temperature	2700K-6500K
CRI	97
TLCI	99
SSI(D55)	75
Central Illumination	55000Lux@1m(Spot) 6100 Lux@3m(Spot) 2200 Lux@5m(Spot) 20000Lux@1m(Flood) 2200 Lux@3m(Flood) 800 Lux@5m(Flood)
Control	Local control, DMX
Working Voltage	AC 100-240V,50/60Hz
Complete lamp power	About 100W
Dimension (mm)	See Fig. 1, Fig. 2 for details
Overall Net Weight (with shade)	5.2Kg

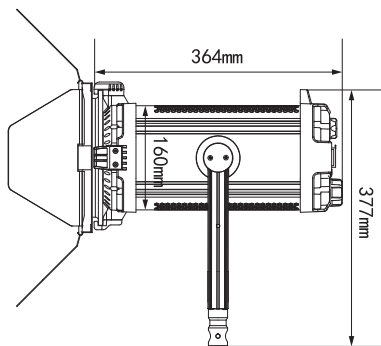


Fig.1 FL-C100D Side View

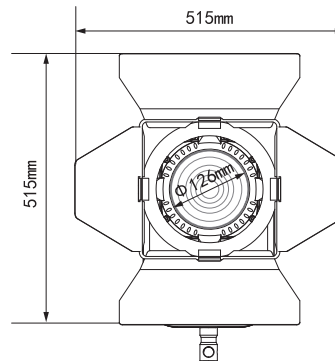


Fig.2 FL-C100D Front View

APPEARANCE

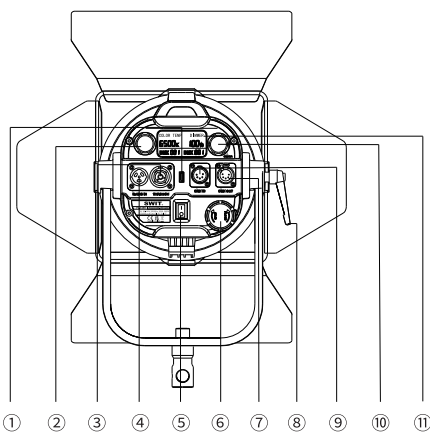


Fig. 3 FL-C100D Back View

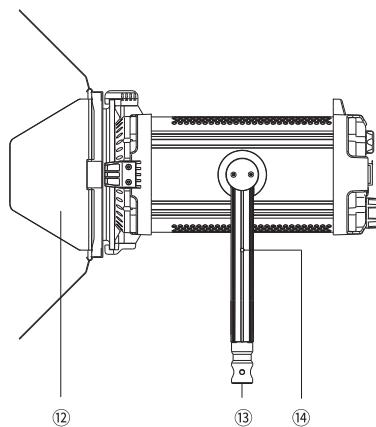


Fig. 4 FL-C100D Side View

- ① USB
- ② Color temperature knob
- ③ AC OUTPUT
- ④ AC INPUT
- ⑤ POWER
- ⑥ Focusing knob
- ⑦ DMX OUTPUT
- ⑧ Pitch angle adjustment knob
- ⑨ DMX INPUT
- ⑩ Dimmer adjustment knob
- ⑪ LCD DISPLAY
- ⑫ Blackout sheets
- ⑬ Bracket adapters
- ⑭ Ring mounting holes

WARNING

1. Do not disassemble the panel light or touch the interior with metal objects to prevent damaging the equipment.
2. Do not store the panel light in dusty or wet environment to avoid damage.
3. In order to ensure safety, please use the safety rope when hoisting the lamp.
4. Working temperature is between -10°C to 40°C.

LCD DISPLAY

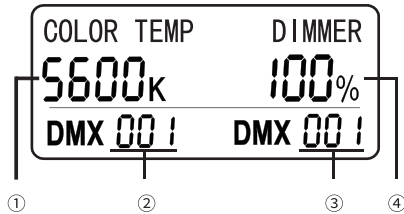


Fig. 5 LCD Display

- ① Display area for color temperature parameter
- ② DMX address (Color temperature)
- ③ DMX address (Dimmer)
- ④ Display area for dimmer parameter

USAGE

1. Installation

Before use, please install the shade and shade cloth according to your needs. When lifting the luminaire, please use it with the safety rope, which should run through the U-shaped bracket and the suspension ring (the ring should be installed by yourself at ⑭, Fig. 4).

2. Power supply

This product operates on AC 100-240V 50/60Hz and supports AC ring-out.

3. Parameter settings (brightness and color temperature)

This product color temperature parameter control range: 2700K-6500K, the minimum control step 50K; brightness parameter control range: 0%-100%, the minimum control step 1%. Users can control the color temperature and brightness parameters of the luminaire through the DMX console or the parameter adjustment knob (Fig. 3 ②/⑩) according to their needs.

4. DMX

The DMX address of the brightness and color temperature can be set individually, DMX address range: 001-512.

Press and hold the parameter adjustment knob (Fig. 3 ②/⑩) for approx. 2s to set the communication address according to the usage requirements; the LCD digital field flashes to indicate that the current bit is selected, rotate the parameter adjustment knob (Fig. 3 ②/⑩) to set the current bit, press the parameter adjustment knob (Fig. 3 ②/⑩) to determine the setting of the current bit and proceed to the next bit, when the setting of the last bit is completed, press the parameter adjustment knob (Fig. 3 ②/⑩) or wait for approx. 5s to exit the setting of the communication address. When the last bit is set, press the parameter adjustment knob (Fig. 3 ②/⑩) or wait for approx. 5s to exit the setting of the communication address.

5. Flood/Spot adjustment

Turning the focus knob clockwise changes the light output of the luminaire from Flood to Spot and turning the focus adjustment knob counterclockwise changes the light output of the luminaire from Spot to Flood.

PACKING LIST

No.	Packing details	Quantities
1	FL-C100D Spotlight	x 1
2	Honeycomb	x 1
3	Power cables	x 1
4	Blackout cloth	x 1
5	Safety ropes	x 2
6	Lifting rings	x 1
7	AC Plug	x 1